

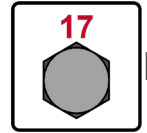
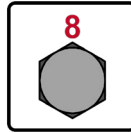


# M-223 2008

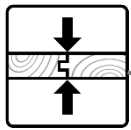
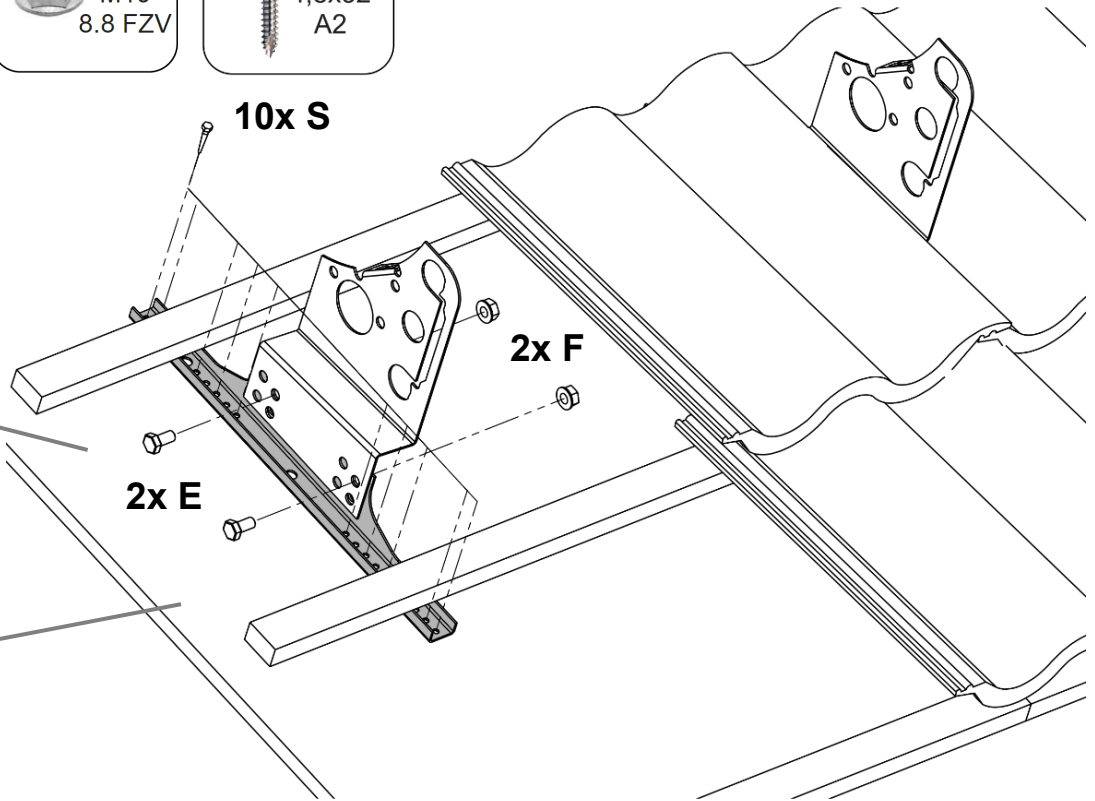
M-203 M-204 M-251



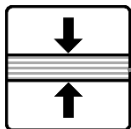
Patent Pending



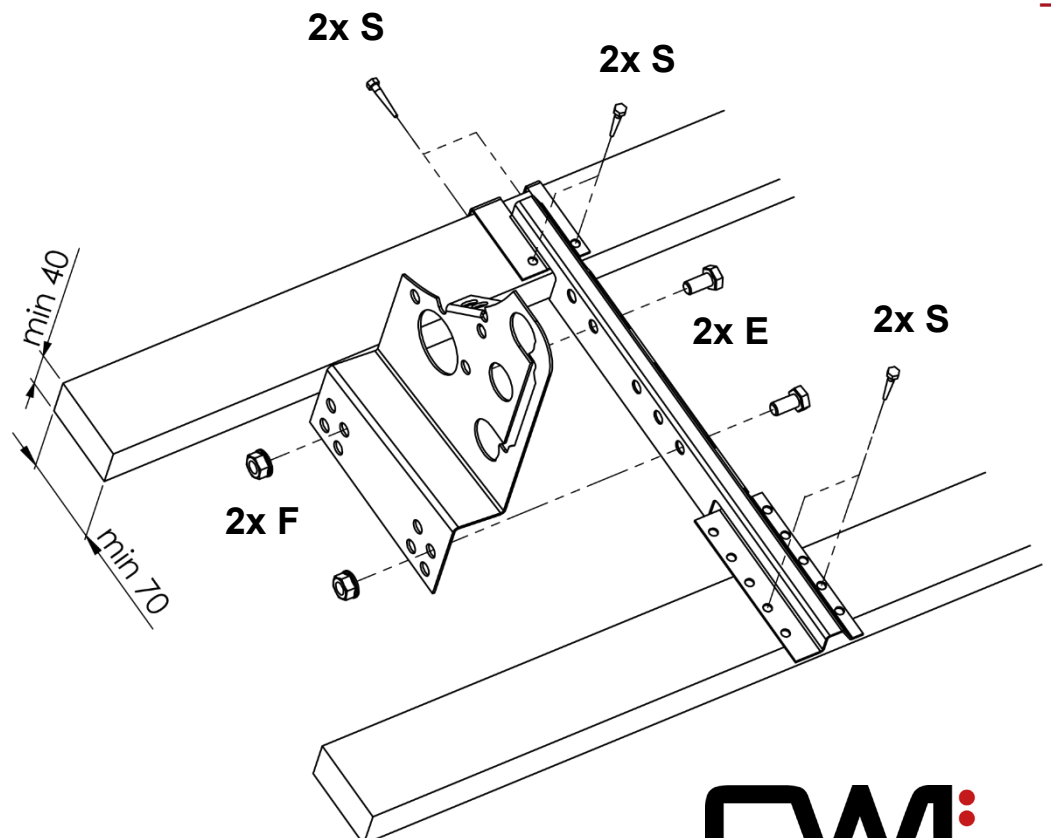
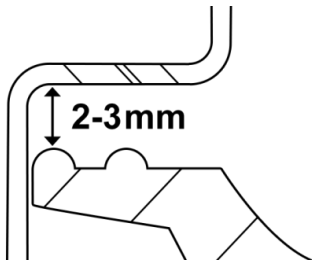
[mm]



Wood  
min 17 mm



Plywood  
min 12 mm



cwlundberg.com

© CWL

**CWL**  
ROOF SAFETY MORA SWEDEN