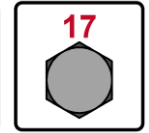


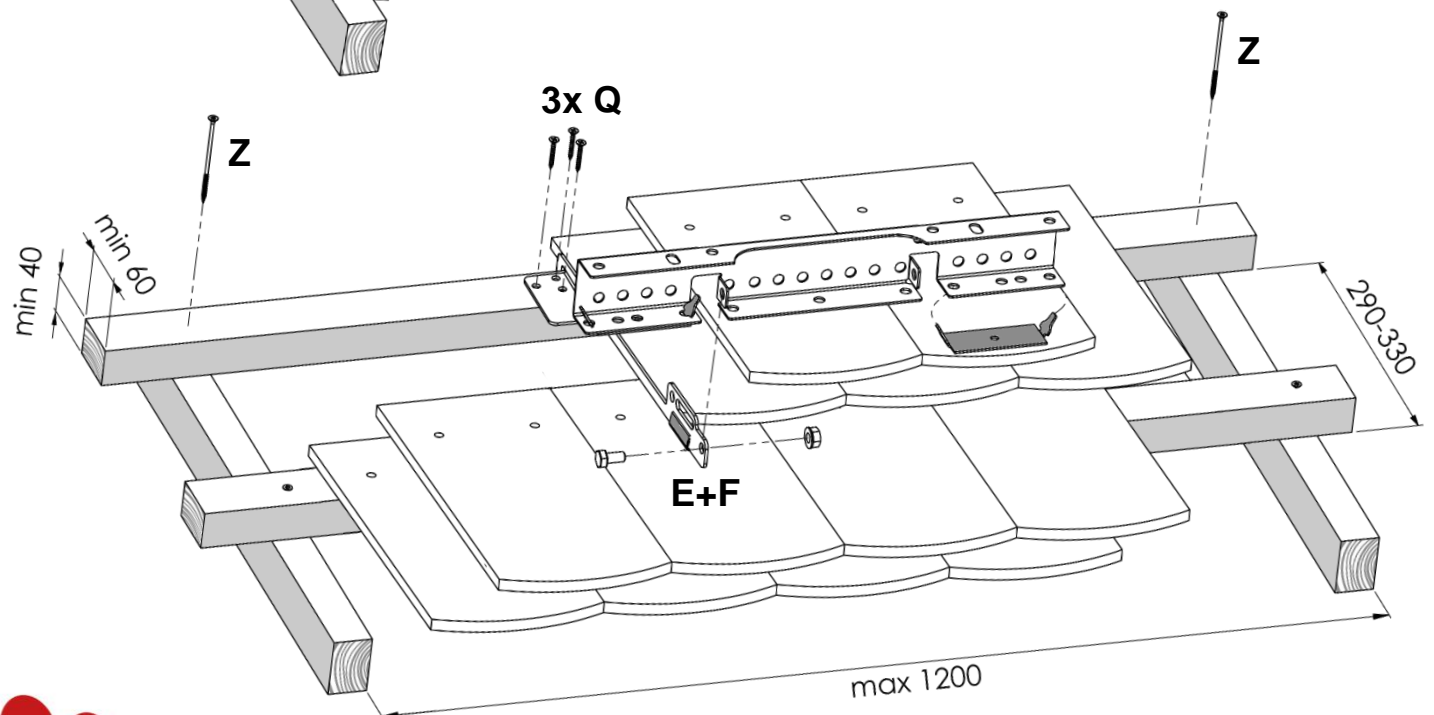
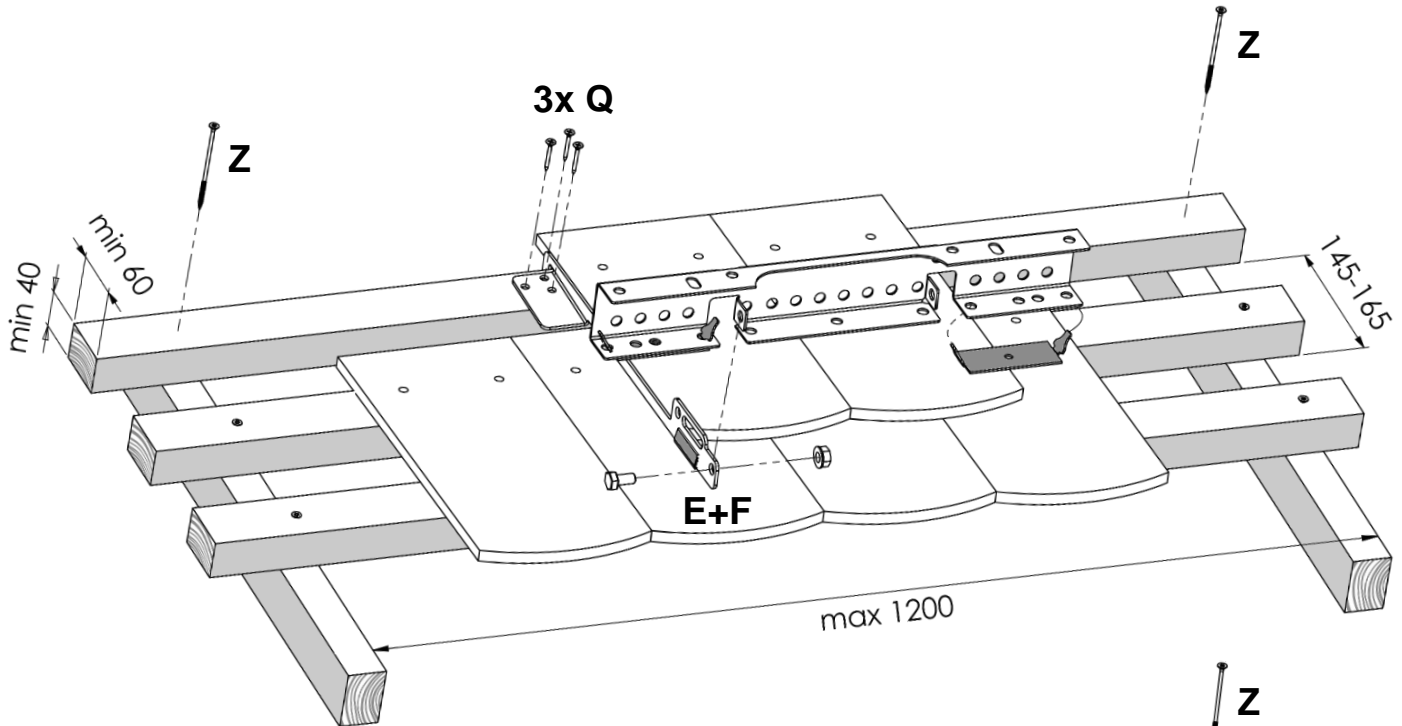
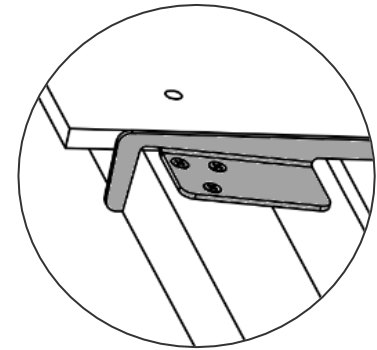
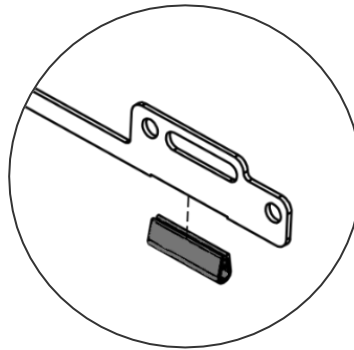


# M-333-1 2302

## M-333-2



[mm]

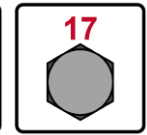
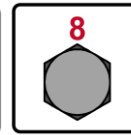


cwlundberg.com



**M-333-2 2302**

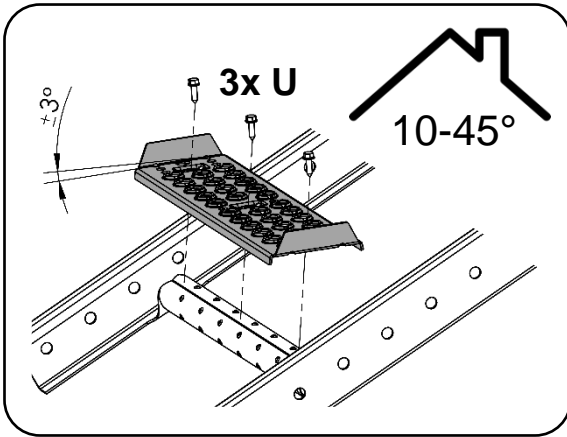
**M-333-1 CWL0213-1**



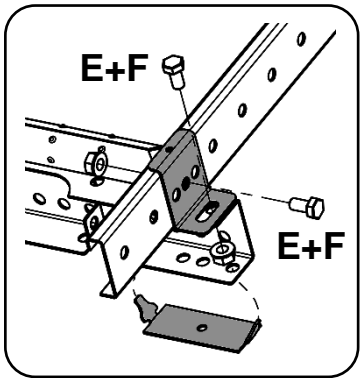
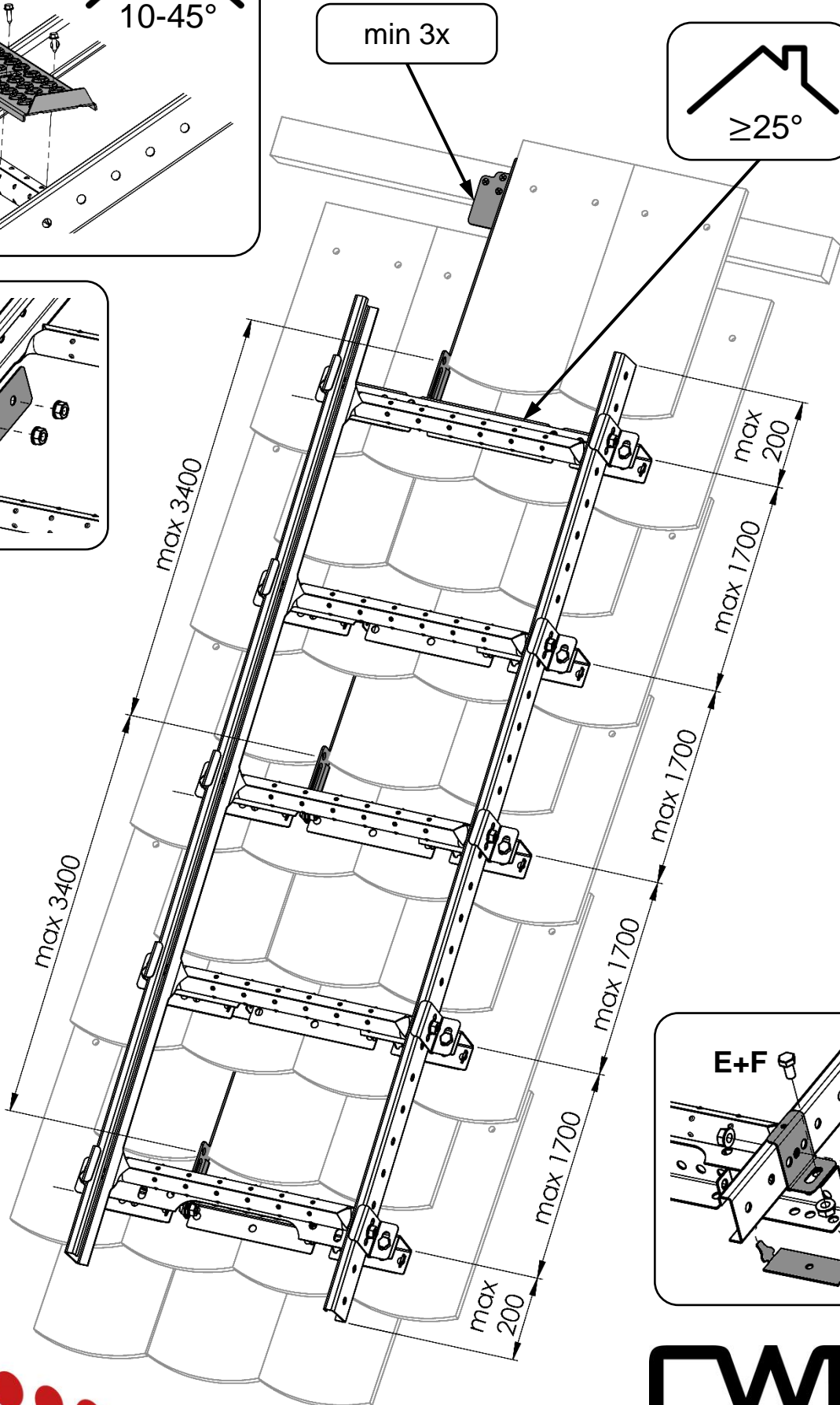
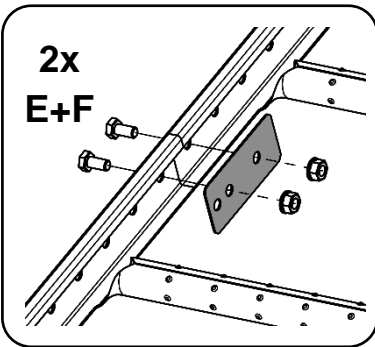
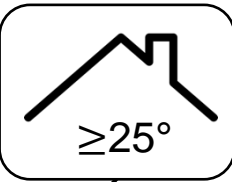
[mm]



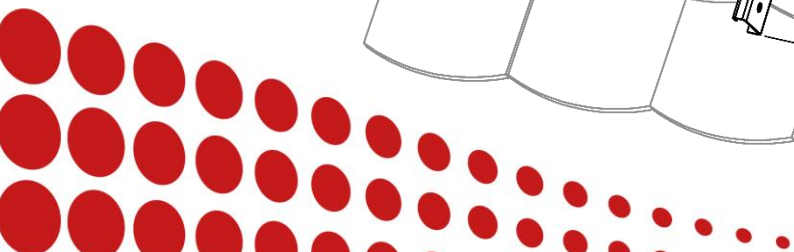
Patent Pending



min 3x

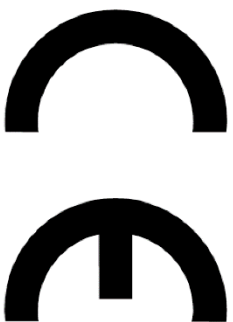


cwlundberg.com

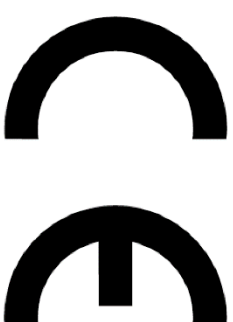


© CWL

**CWL**  
ROOF SAFETY MORA SWEDEN



Year: 21	
CW Lundberg Industri AB, Landsvägen 52, SE-792 22 Mora	
Identification code: CWLRL03A	
Declaration of Performance, DoP nr CWL0211-1	
Notified body: NB 0402	
Harmonized standard: EN 12951:2004	
Permanently fixed roof ladder Roof ladder may be used as anchor point for personal fall protection equipment C2-TA	
Mechanical resistance:	Deemed to satisfy
External fire performance and reaction to fire:	A1
Durability of mechanical resistance:	Deemed to satisfy



Year: 21	
CW Lundberg Industri AB, Landsvägen 52, SE-792 22 Mora	
Identification code: CWLRL03B	
Declaration of Performance, DoP nr CWL0212-1	
Notified body: NB 0402	
Harmonized standard: EN 12951:2004	
Permanently fixed roof ladder Roof ladder may be used as anchor point for personal fall protection equipment C2-TB	
Mechanical resistance:	Deemed to satisfy
External fire performance and reaction to fire:	A1
Durability of mechanical resistance:	Deemed to satisfy

