

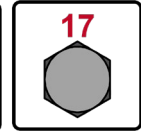
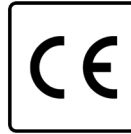


**M-339 2202**

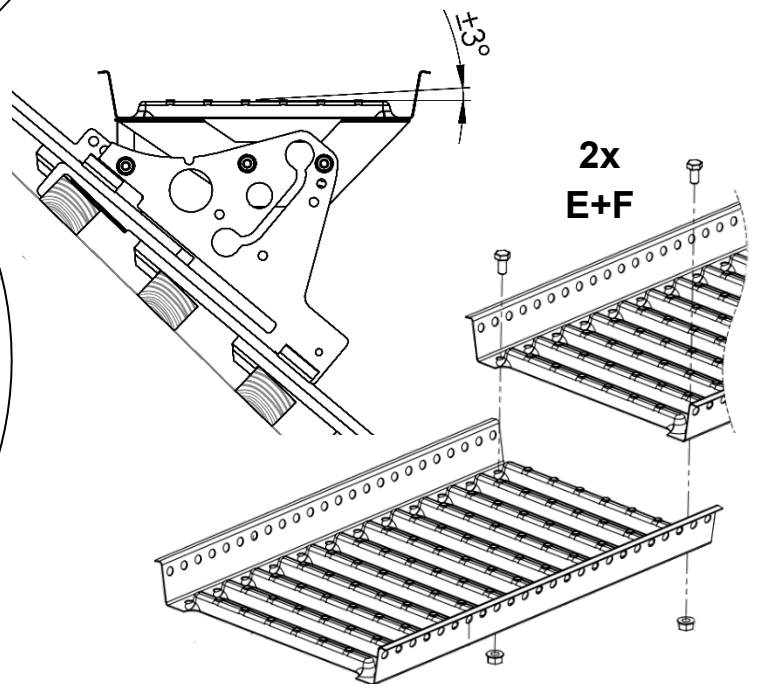
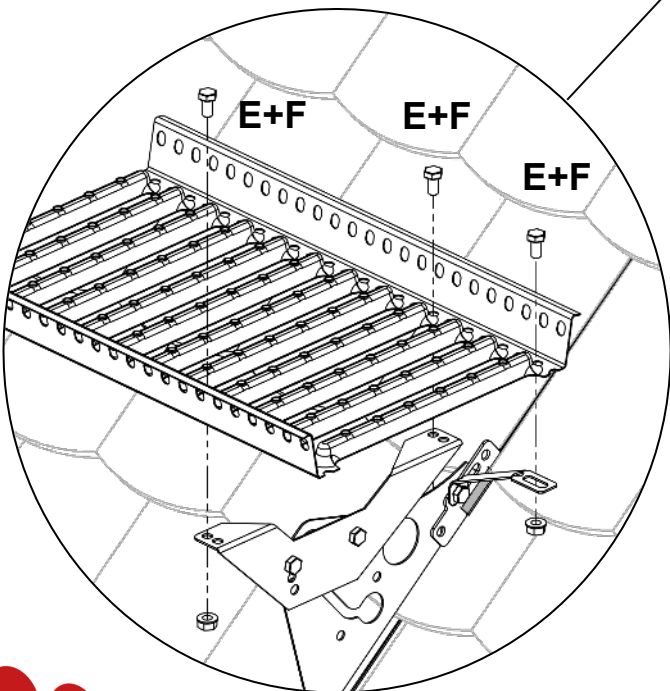
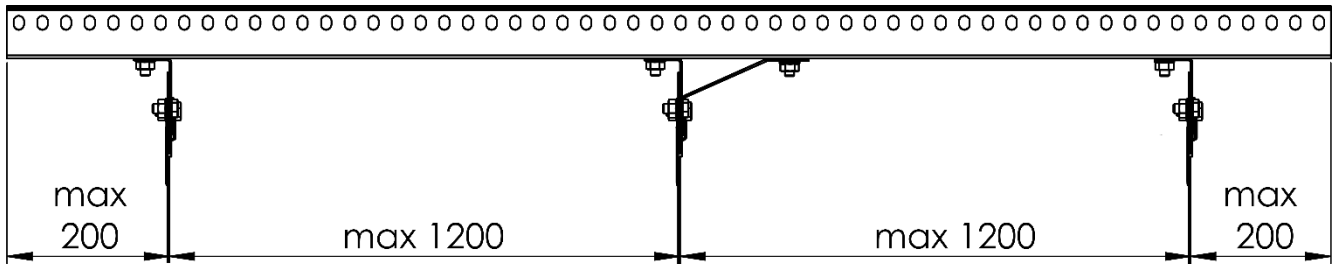
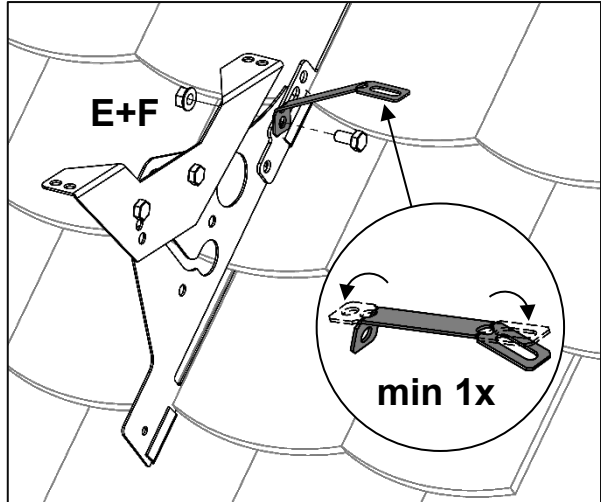
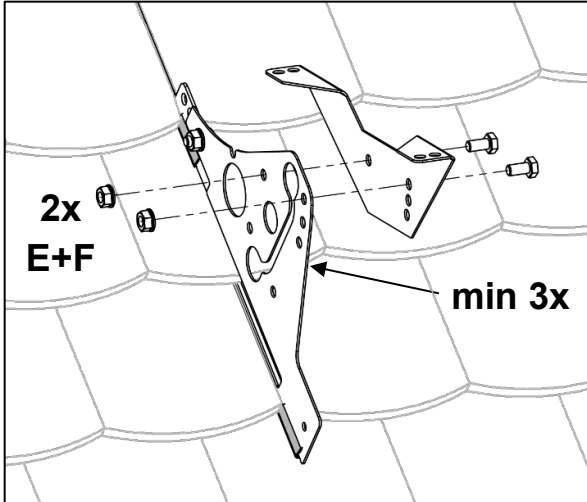
**M-332 CWL0221-1**



Patent Pending



[mm]



[cwlundberg.com](http://cwlundberg.com)

© CWL

**CWL**  
ROOF SAFETY MORA SWEDEN



Year: 23

CW Lundberg Industri AB, Landsvägen 52, SE-792 22 Mora

Identification code: CWLWWB1

Declaration of Performance, DoP nr CWL0220-1

Notified body: NB 0402

Harmonized standard: EN 516:2006

EN 516 – 2 – B

Walkways intended to be used as roof access  
for inclined roofs for buildingsWalkways may be used as anchor point for  
personal fall protection equipment

Mechanical resistance:	Deemed to satisfy
Reaction to fire:	A1
External fire performance:	B <sub>roof</sub>
Durability of mechanical resistance:	Deemed to satisfy